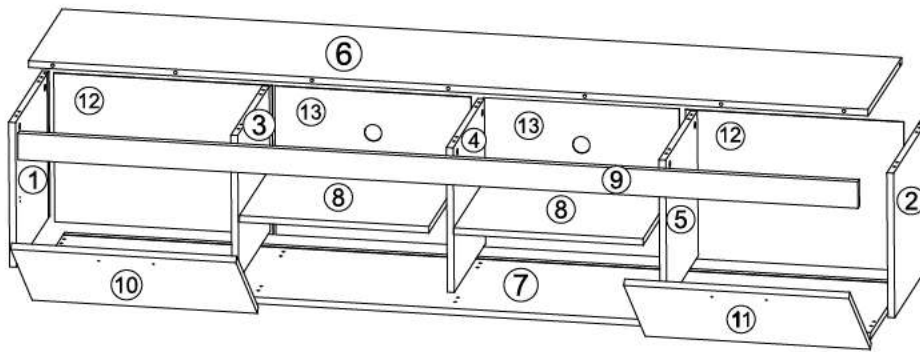


I Тумба RTV / Szafka RTV

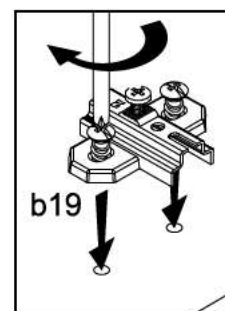
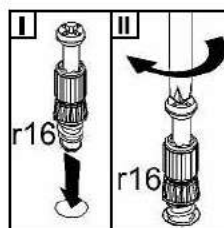
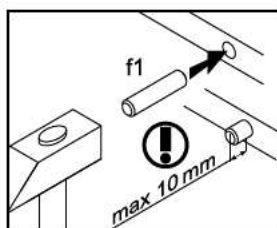
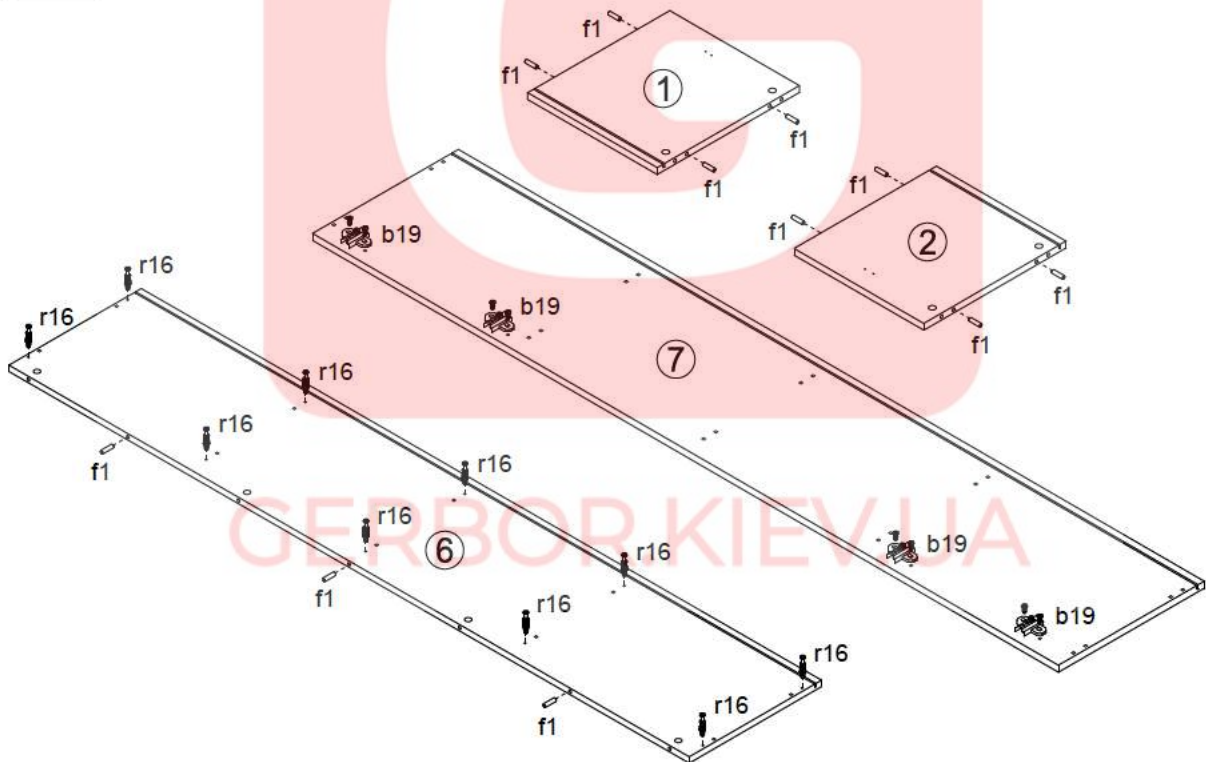
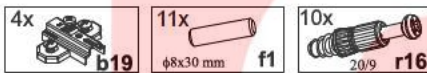


A	B	C	D	
1	B123-148	350	384	3/4
2	B123-147	350	384	3/4
3	B123-141	350	364	3/4
4	B123-142	350	364	2/4
5	B123-143	350	364	2/4
6	B123-208	1969	384	3/4
7	B123-209	1969	384	3/4

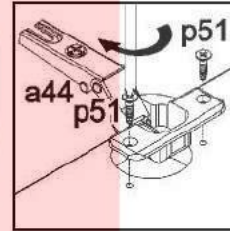
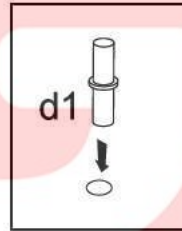
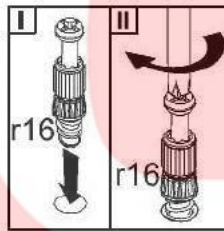
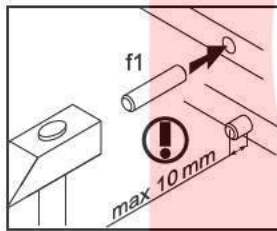
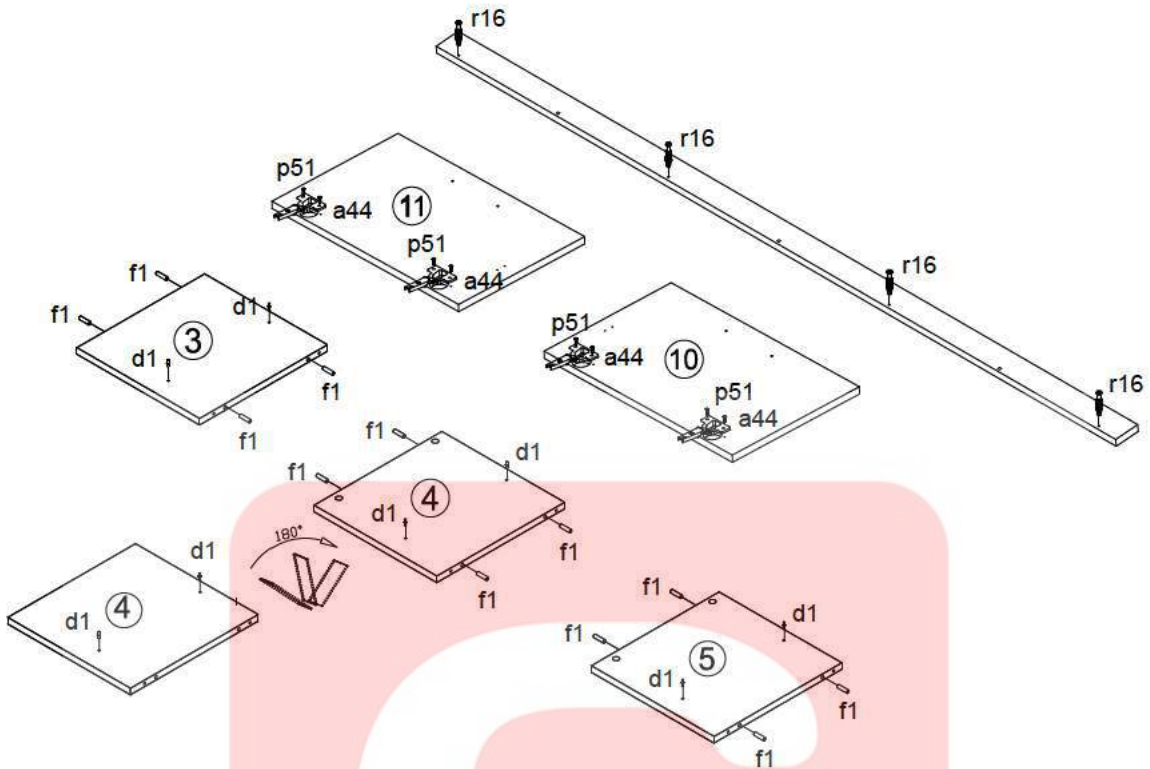
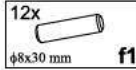
A	B	C	D	
8	B123-328	444	361	3/4
9	B123-592	1970	64	3/4
10	B123-033	528	313	3/4
11	B123-031	528	313	3/4
12	B123-926	513	365	3/4
13	B123-929	461	365	3/4



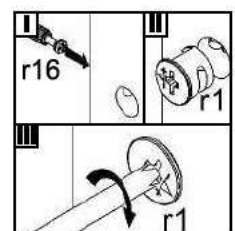
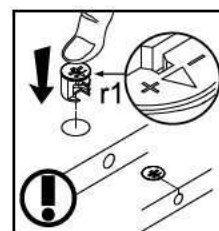
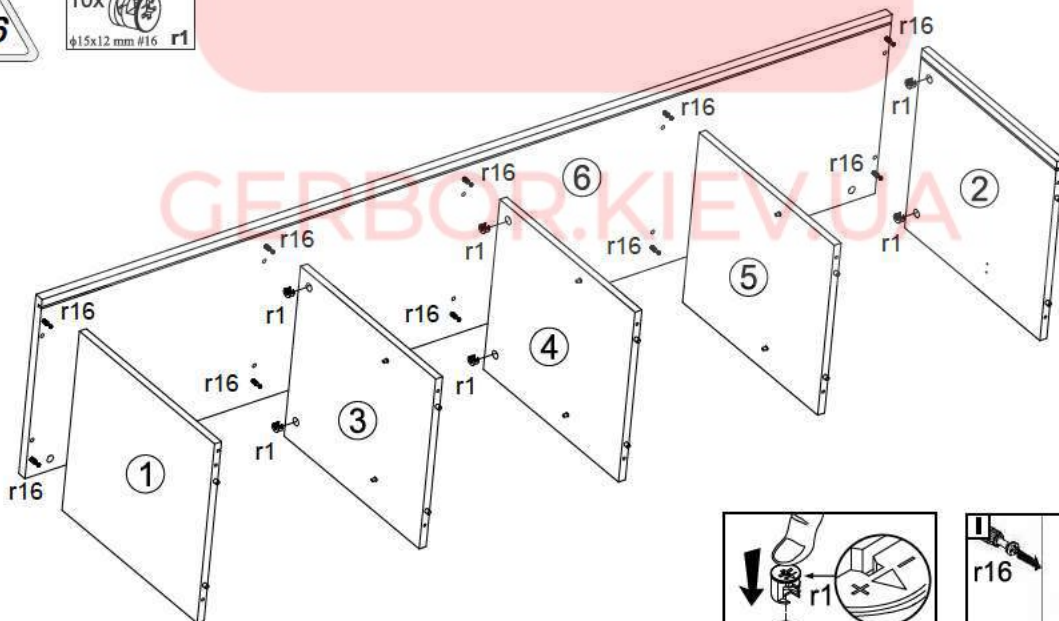
1 §2

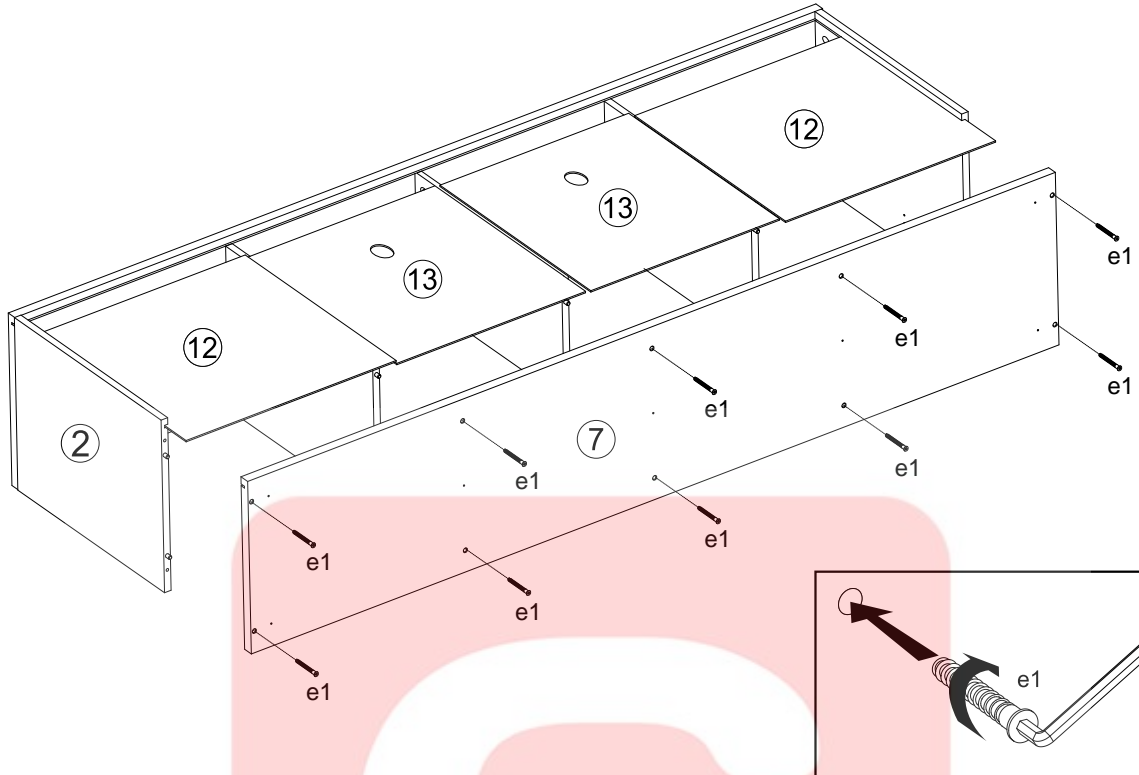
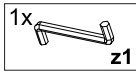
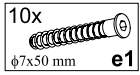
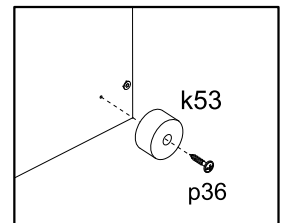
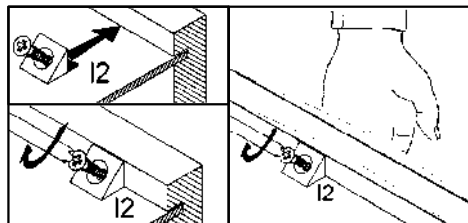
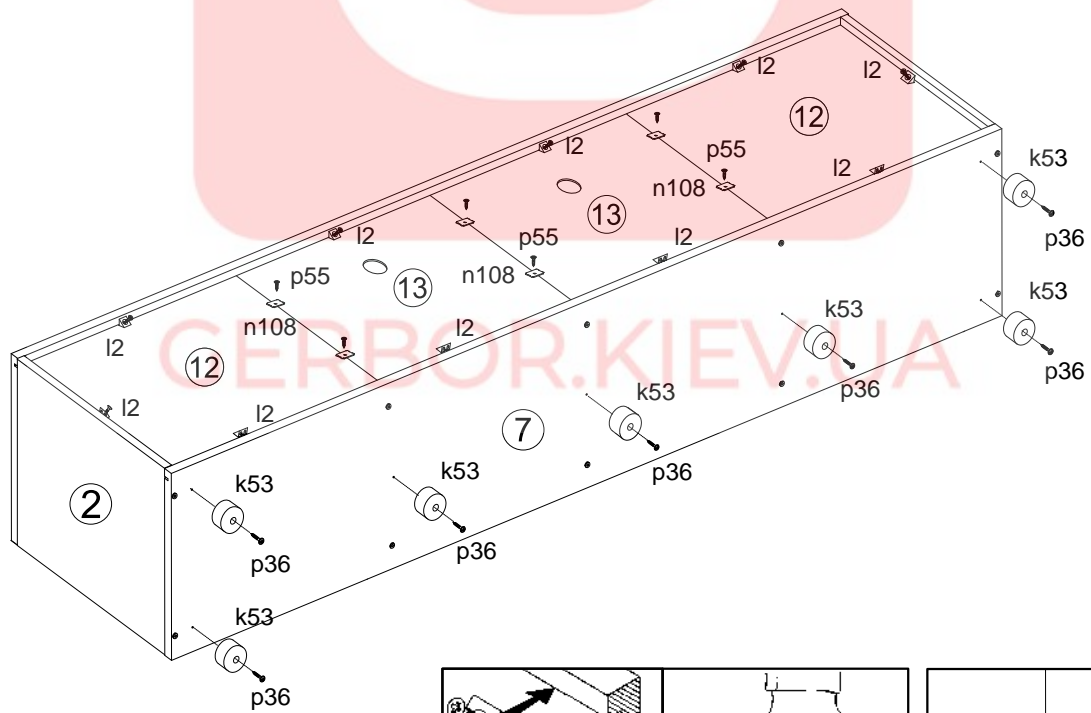
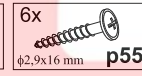
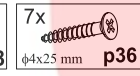
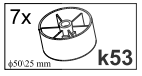


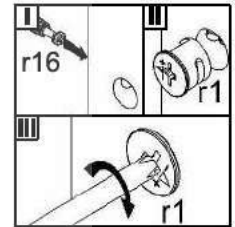
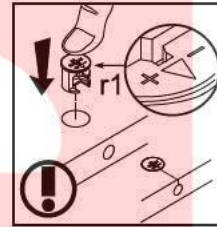
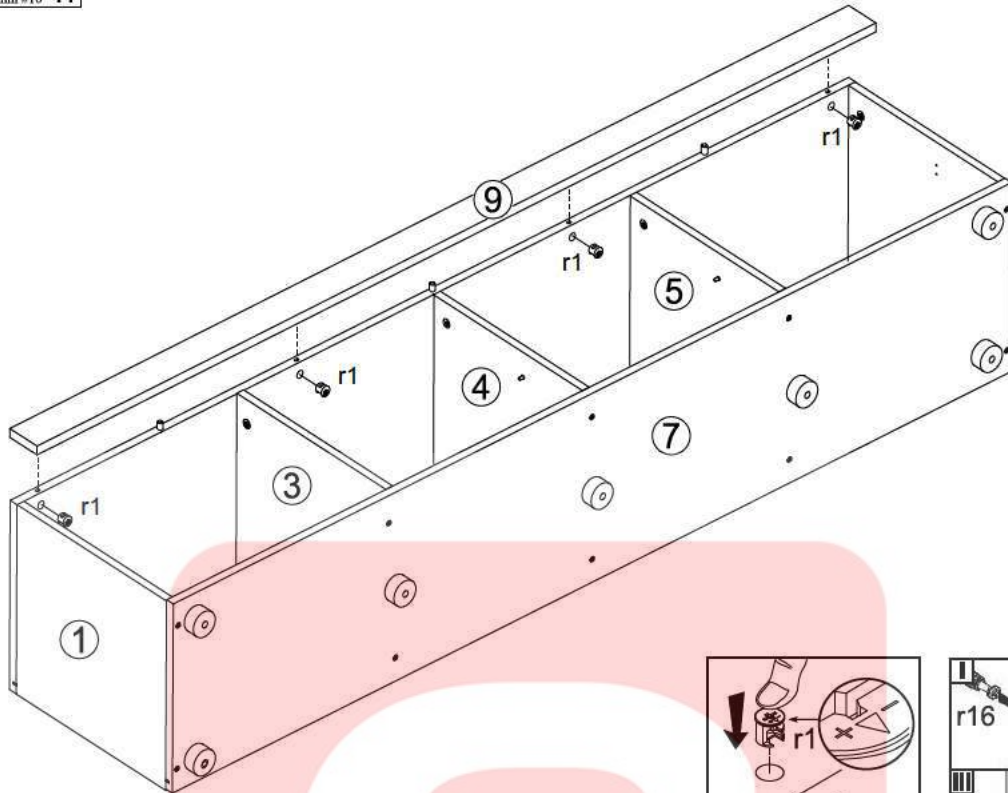


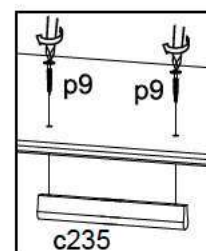
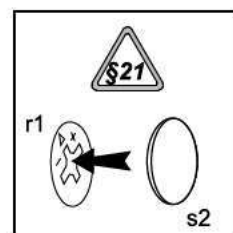
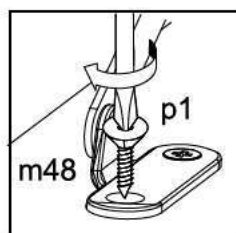
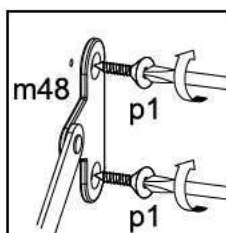
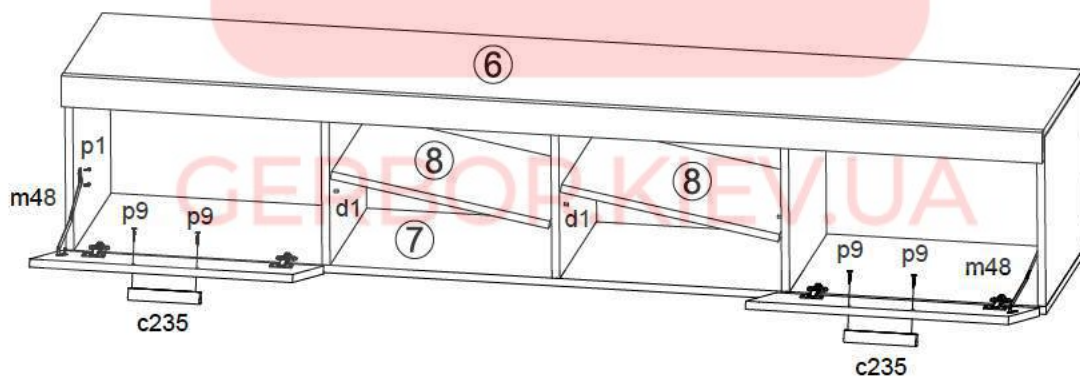
2



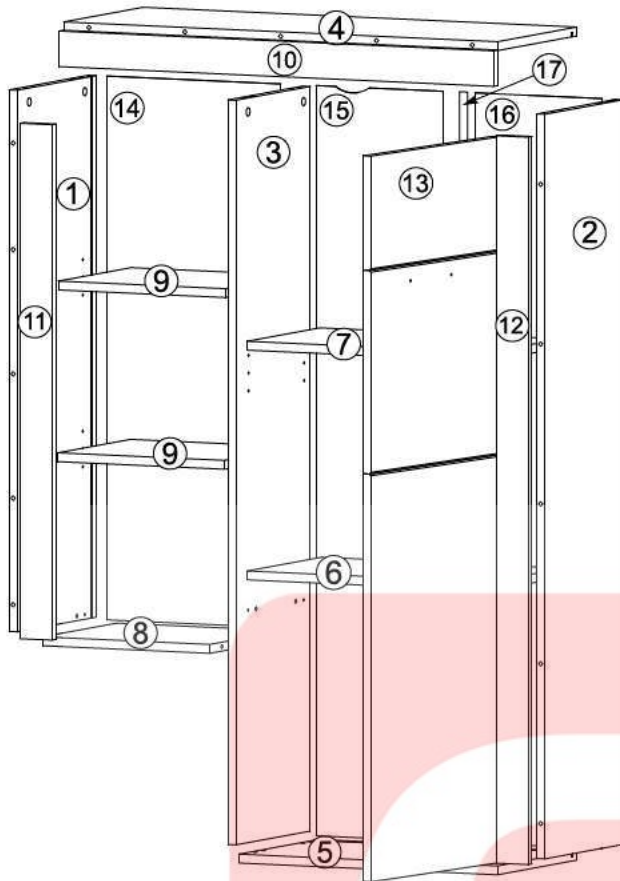
3



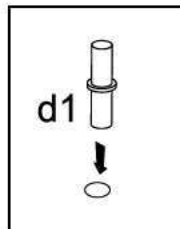
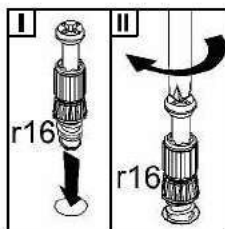
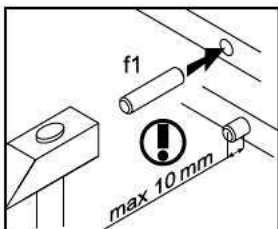
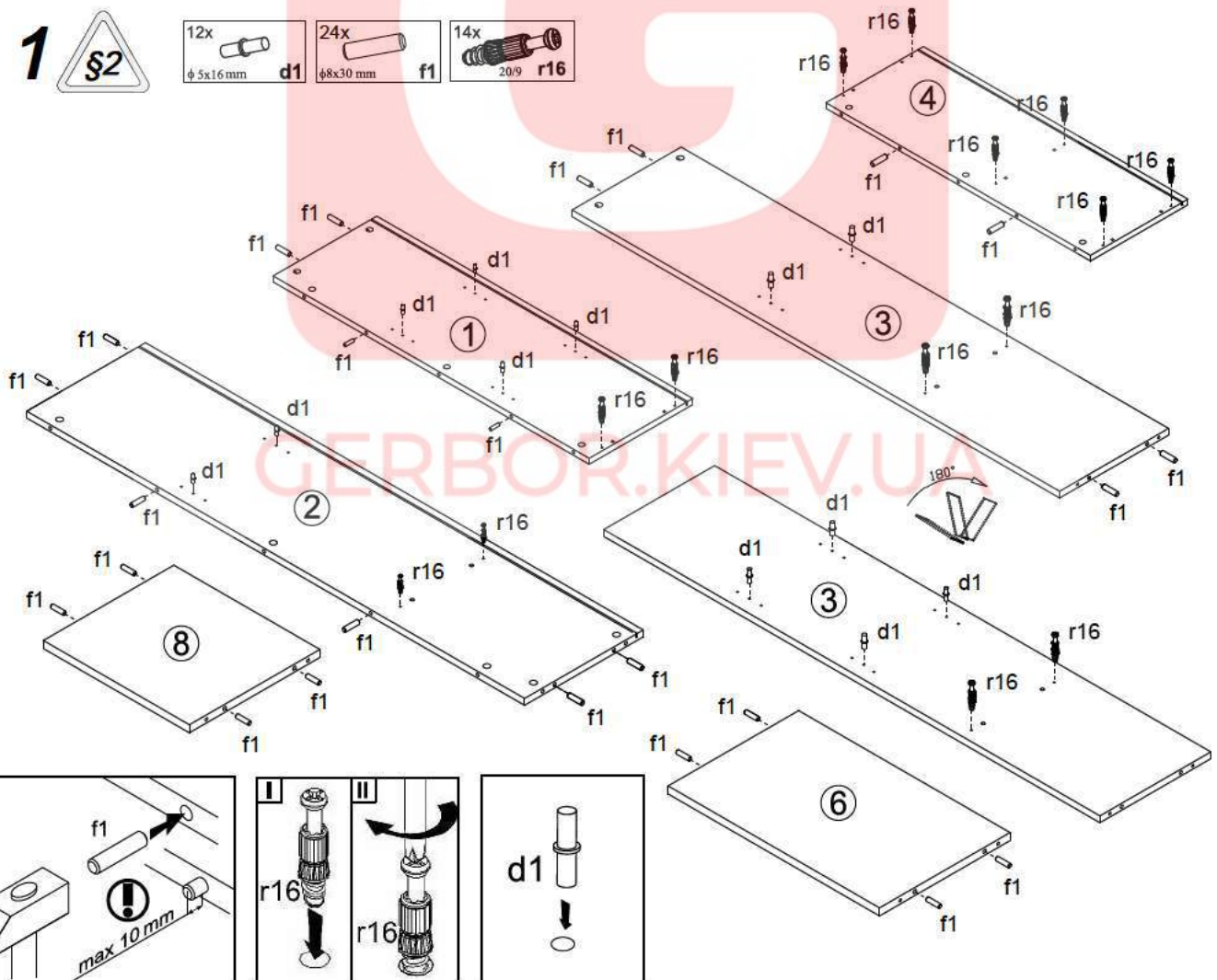
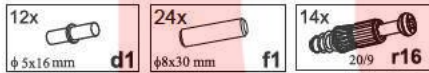
4**5**

64x  $\phi 15 \times 12 \text{ mm}$ #16 r1**7**2x  96/128 mm c2352x  L-230 m488x  $\phi 3,5 \times 13 \text{ mm}$ p14x  $\phi 4 \times 30 \text{ mm}$ p910x  $\phi 16$ s2

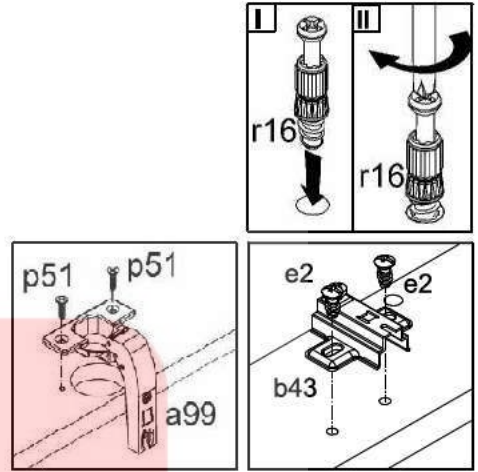
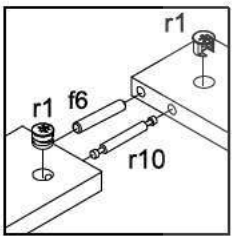
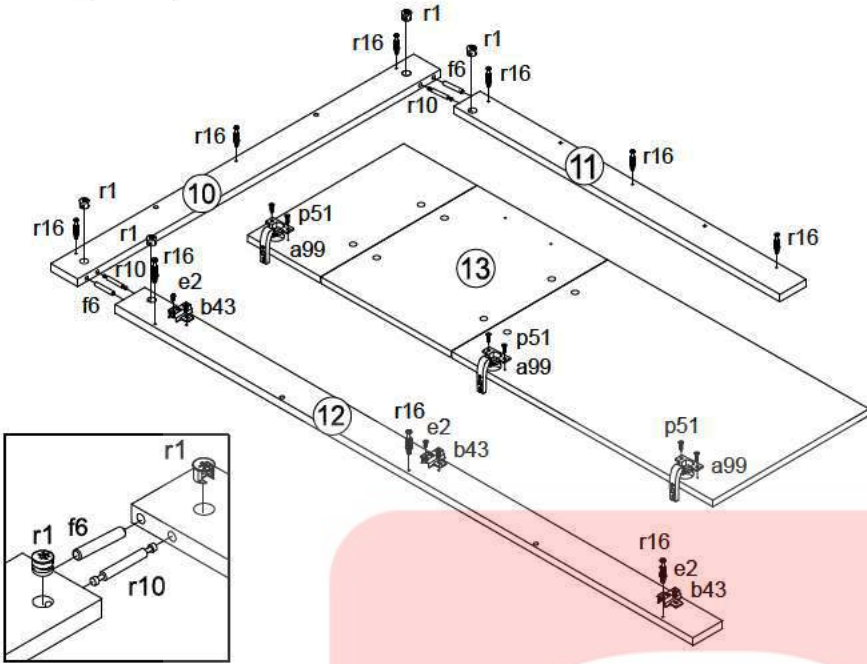
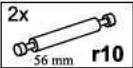
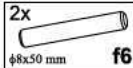
II Пенал / Regal REG1D



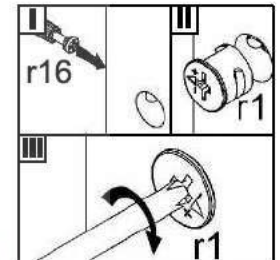
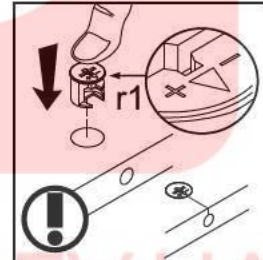
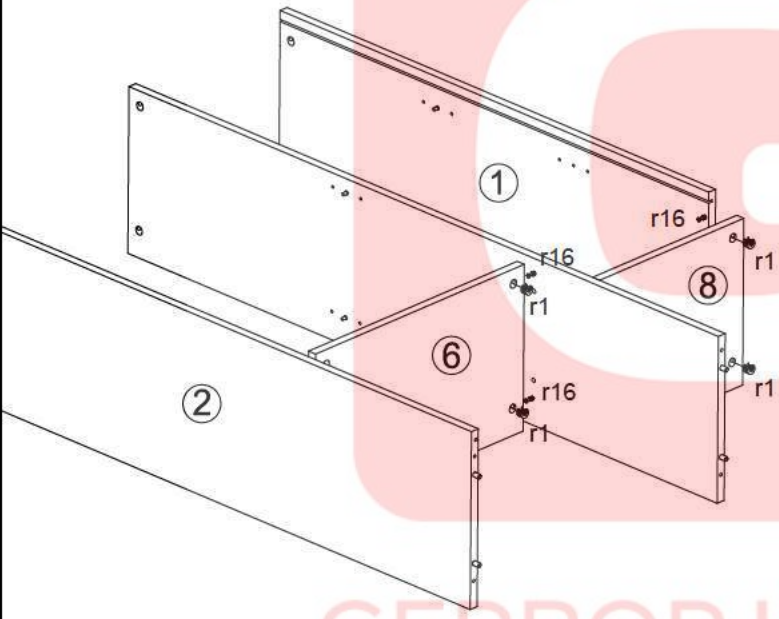
A	B	C	D
1	B123-146	976	320 4/4
2	B123-144	1342	320 4/4
3	B123-145	1342	300 4/4
4	B123-210	869	320 4/4
5	B123-207	518	320 4/4
6	B123-325	485	300 3/4
7	B123-326	484	293 4/4
8	B123-327	335	300 4/4
9	B123-330	334	293 4/4
10	B123-596	870	64 4/4
11	B123-593	929	64 4/4
12	B123-594	1311	64 4/4
13	B123-032	442	1308 4/4
14	B123-931	980	350 2/4
15	B123-927	1357	249 2/4
16	B123-930	1357	249 2/4
17	LH-1341	1341	14 2/4



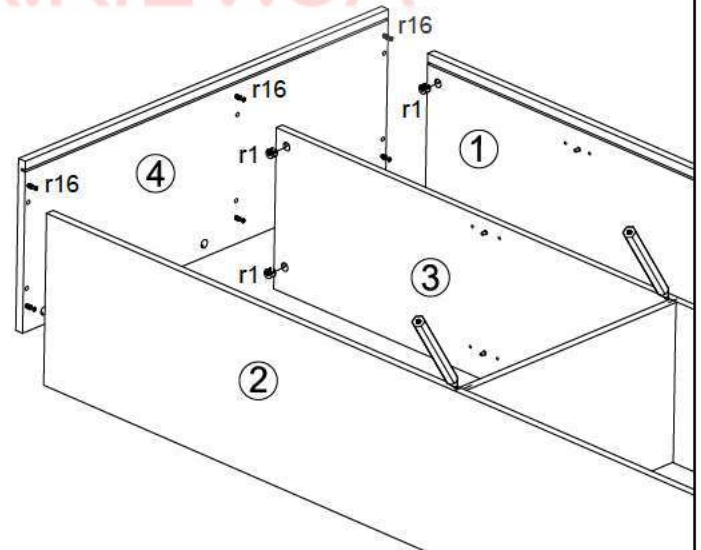
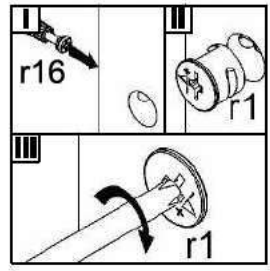
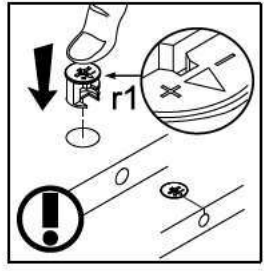
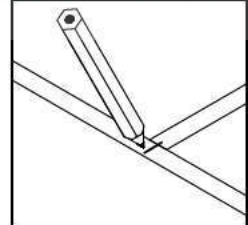
2



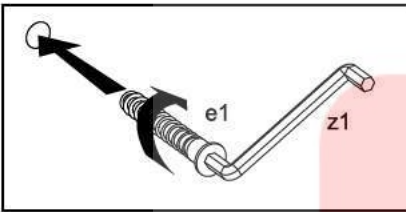
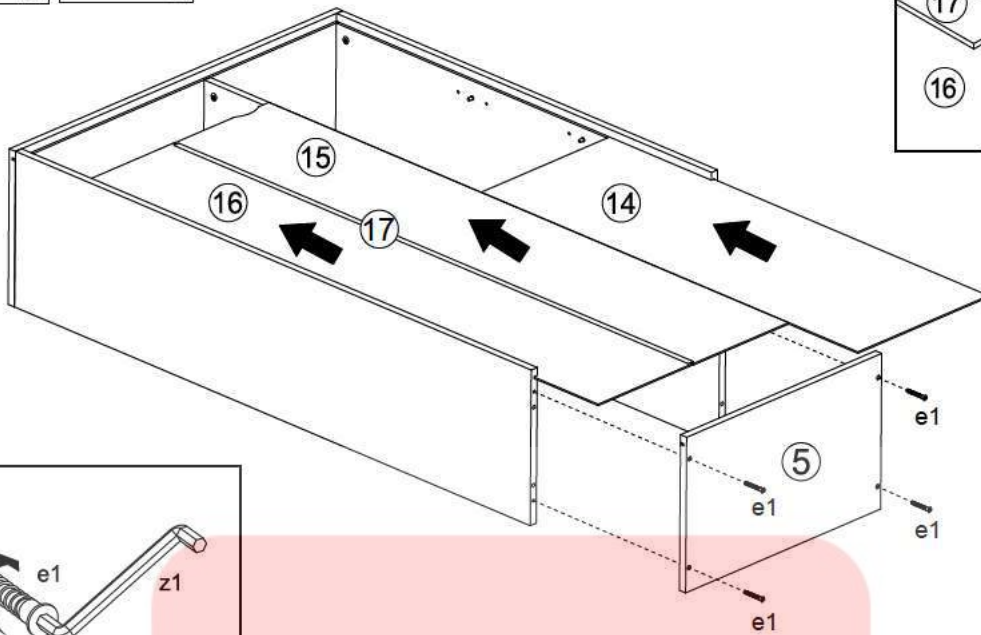
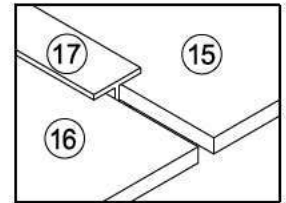
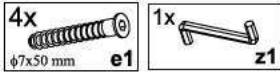
3



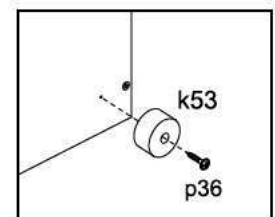
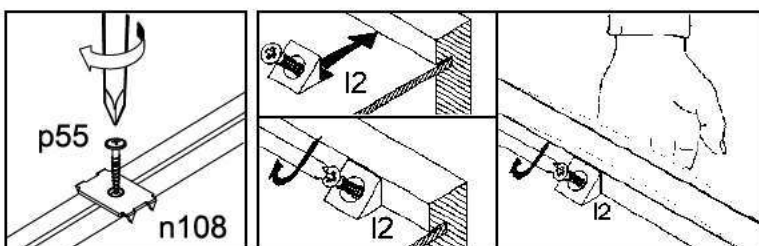
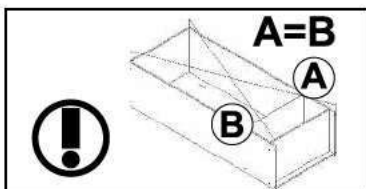
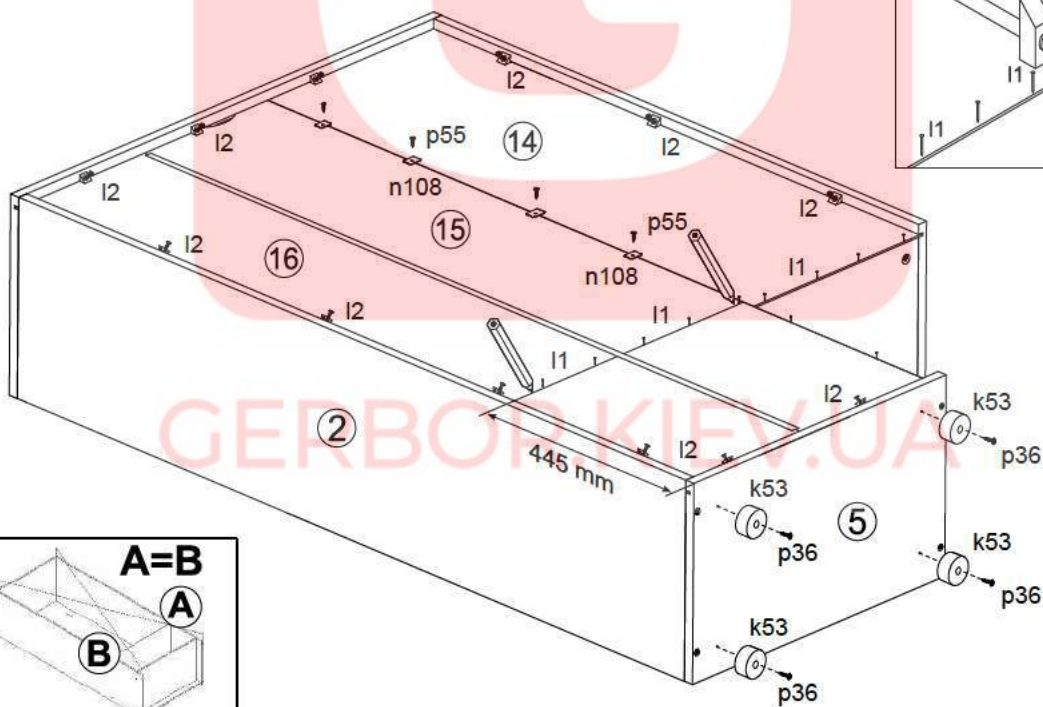
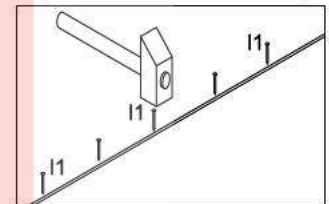
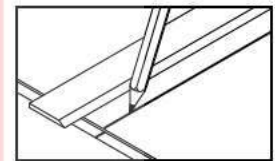
4




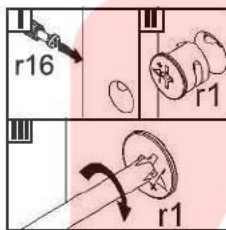
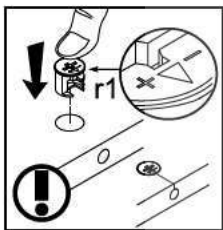
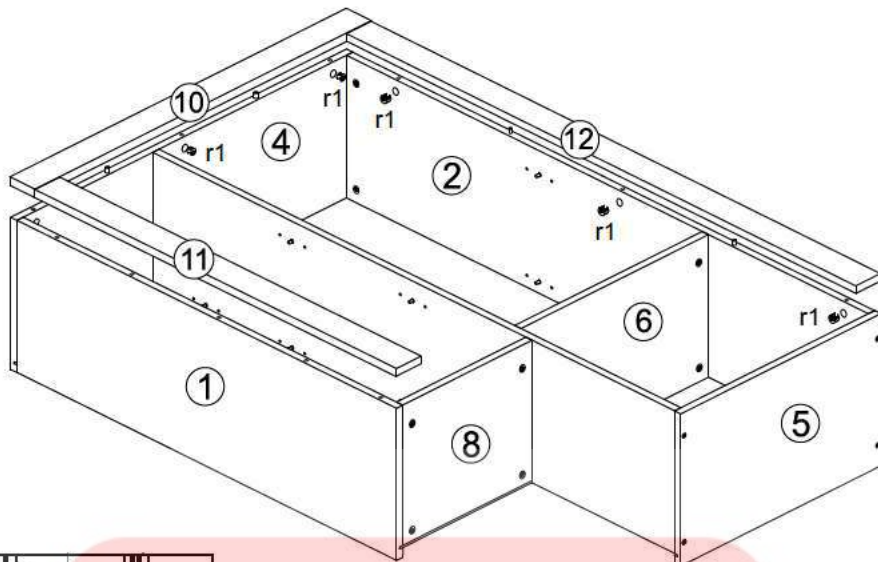
5



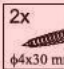
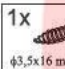
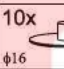
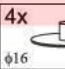
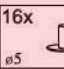


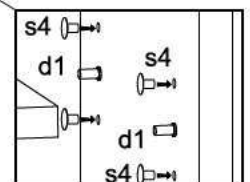
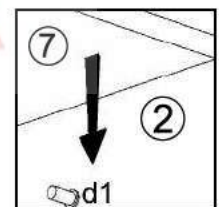
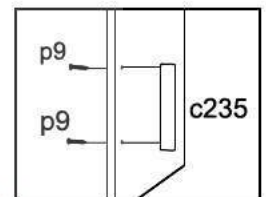
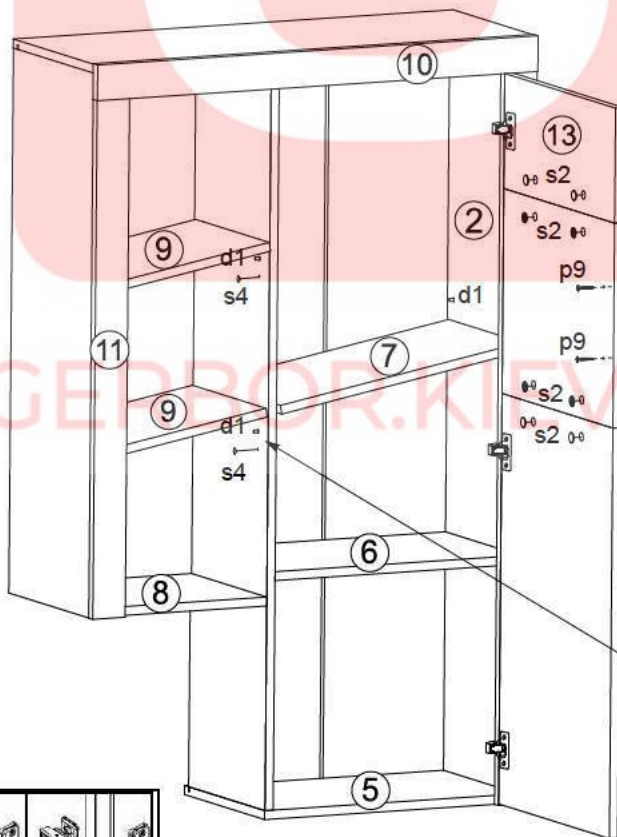
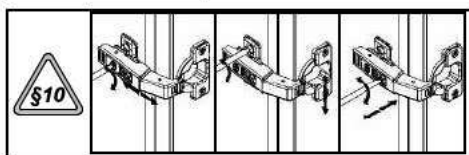
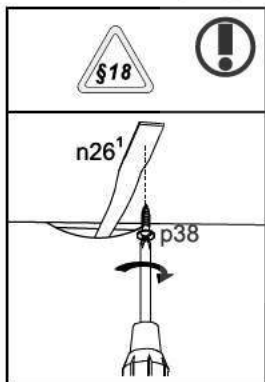
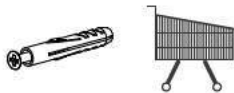
6



7 9x  $\phi 15 \times 12 \text{ mm} \#16$ r1

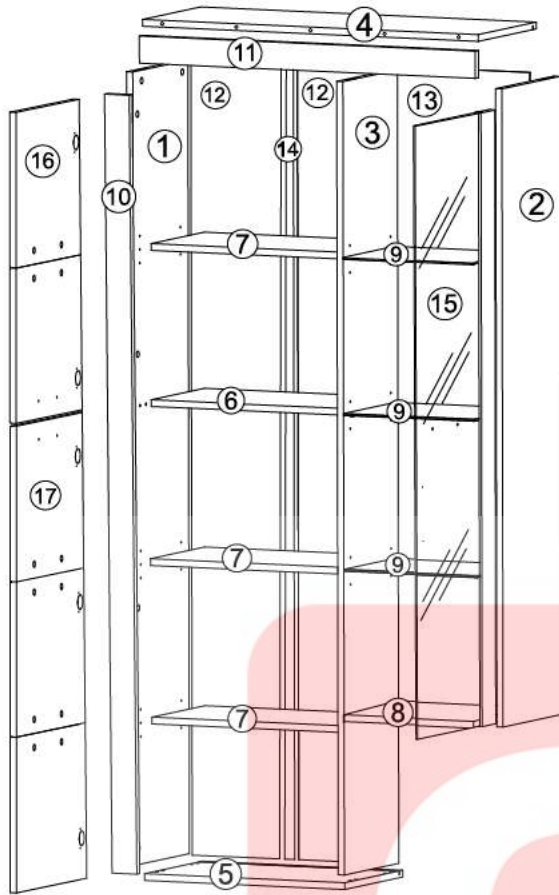


8 1x  c235 1x  n2611 2x  $\phi 4 \times 30 \text{ mm}$ p9 1x  $\phi 3,5 \times 16 \text{ mm}$ p38 10x  $\phi 16$ s2 4x  $\phi 16$ s2 16x  $\phi 5$ s4

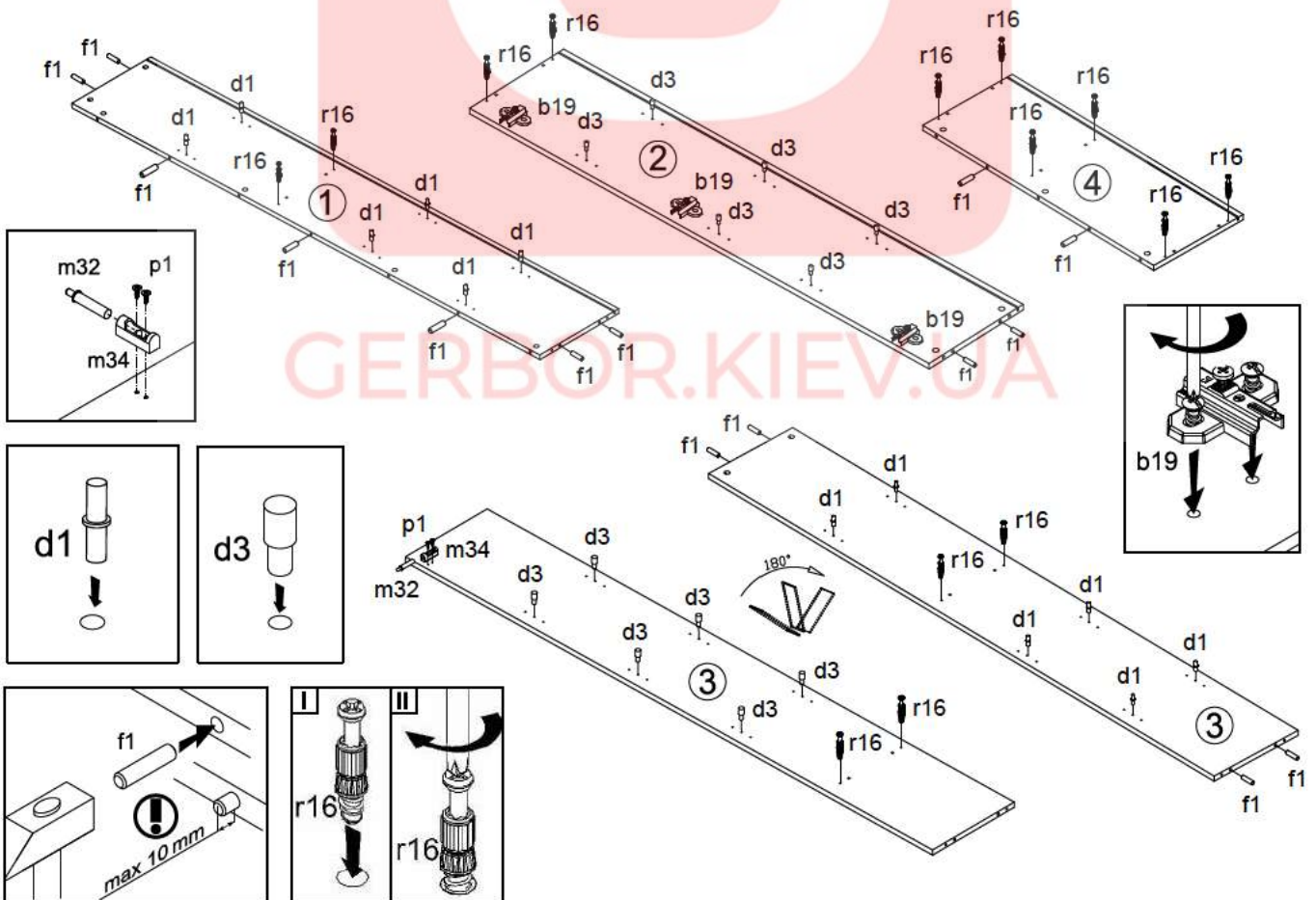
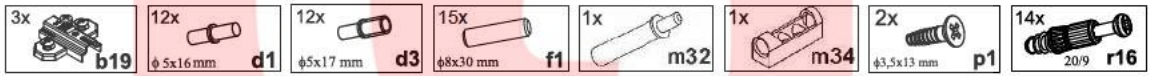




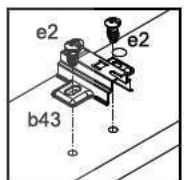
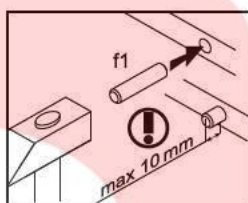
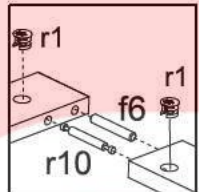
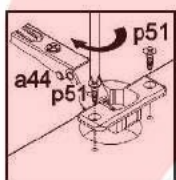
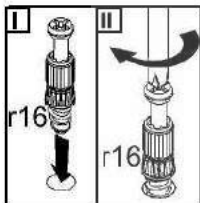
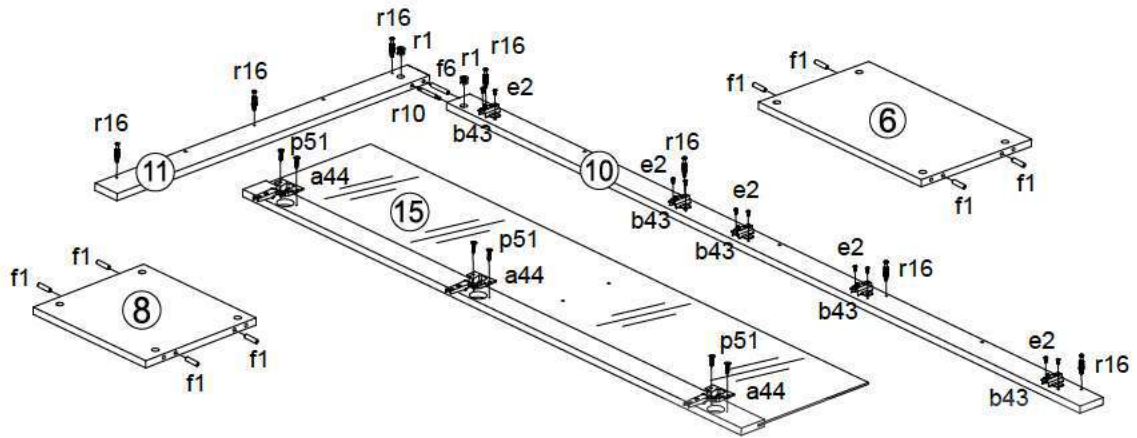
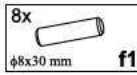
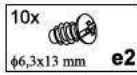
Вітрина / Витрина / Wirtyna REG2D1W



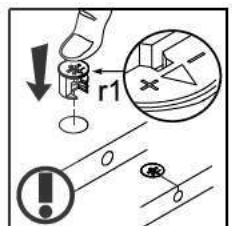
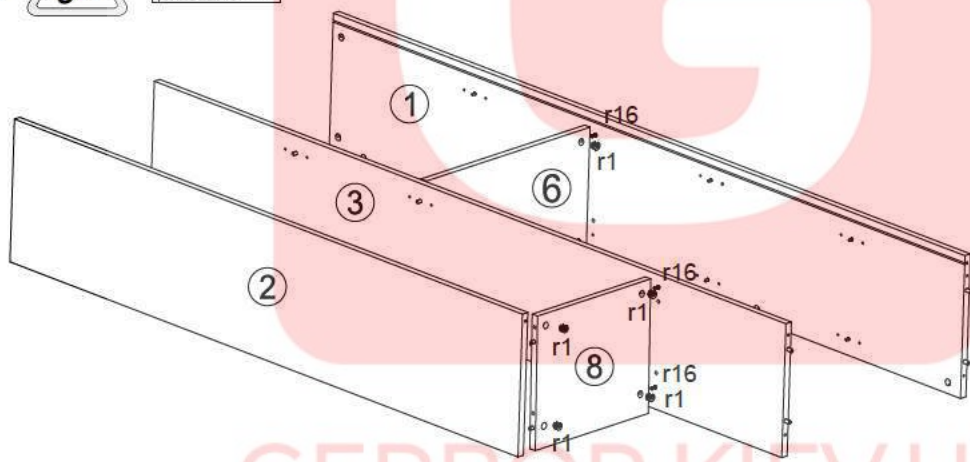
A	B	C	D
1	B123-137	1870	320
2	B123-139	1504	320
3	B123-138	1870	300
4	B123-206	869	320
5	B123-207	518	320
6	B123-325	485	300
7	B123-326	484	293
8	B123-327	335	300
9	B123-552	334	280
10	B123-591	1839	64
11	B123-590	870	64
12	B123-924	1885	249
13	B123-925	1508	350
14	LH-1869	1869	14
15	B123-029	1447	355
16	B123-030	442	1100
17	B123-034	442	733



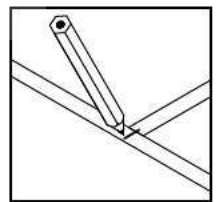
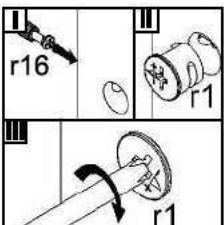
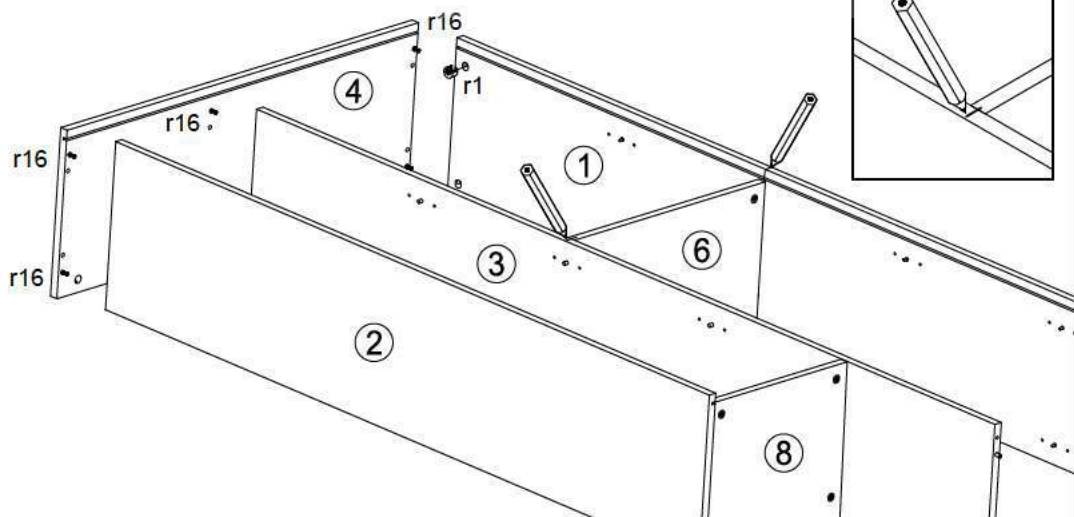
2

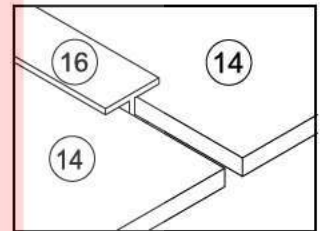
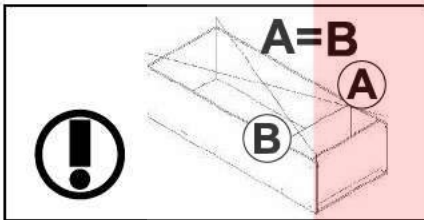
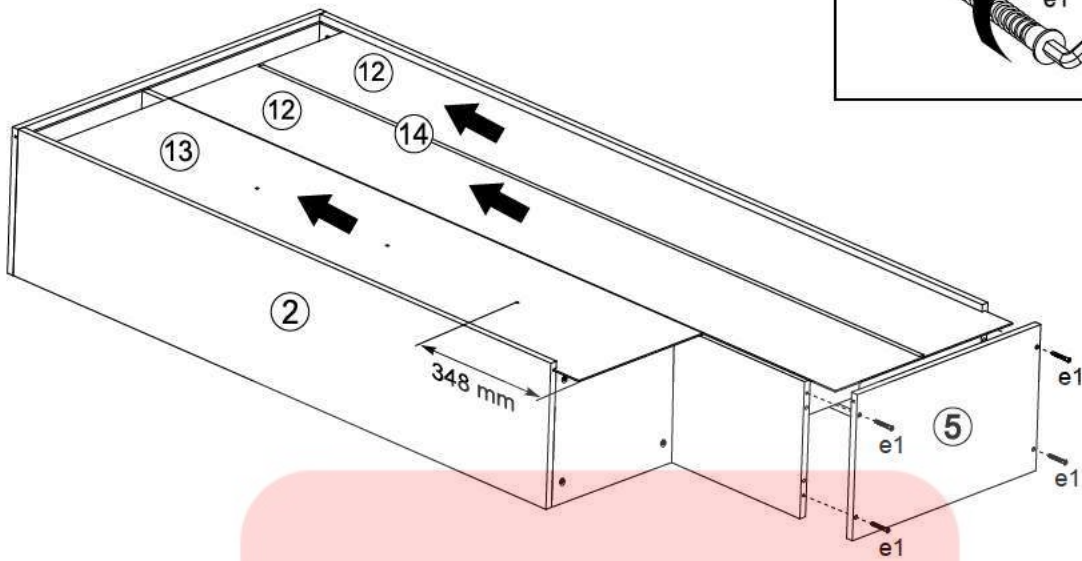
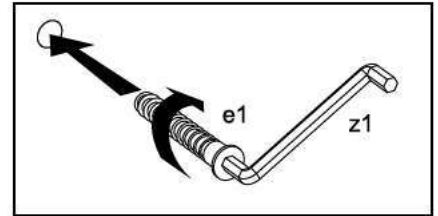
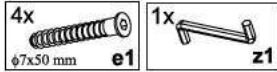
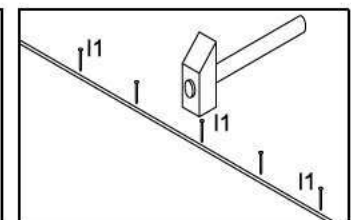
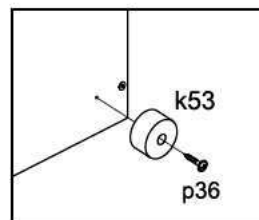
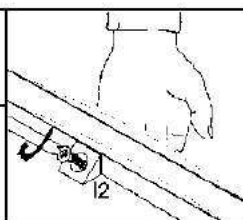
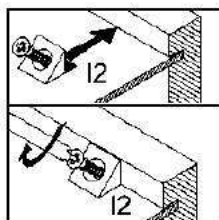
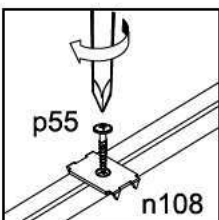
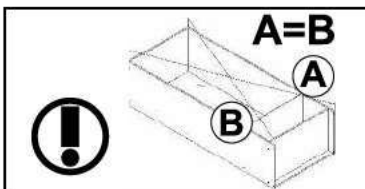
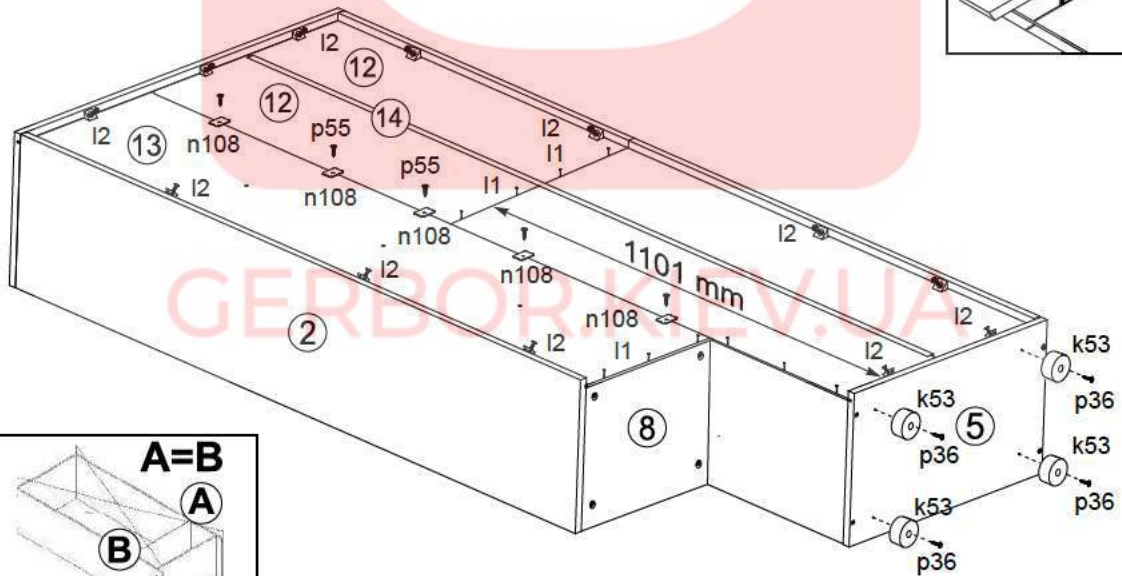
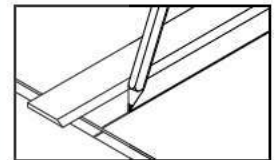
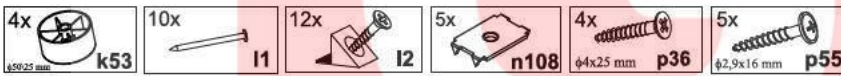


3



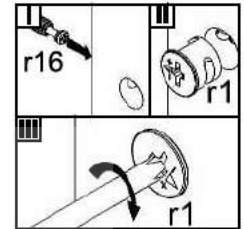
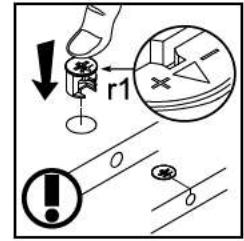
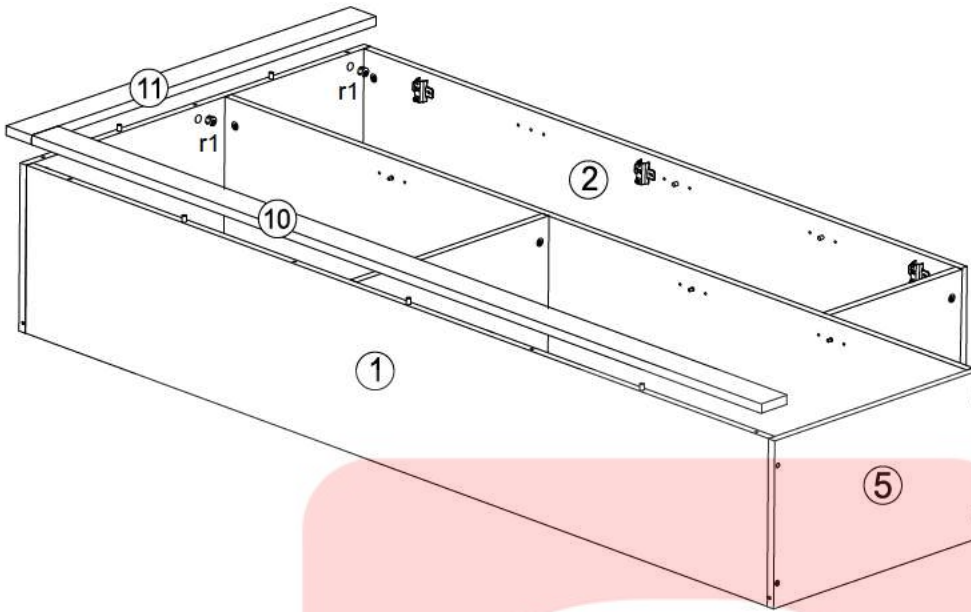
4



5**6**

7

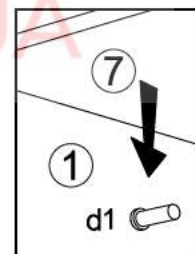
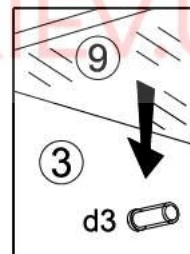
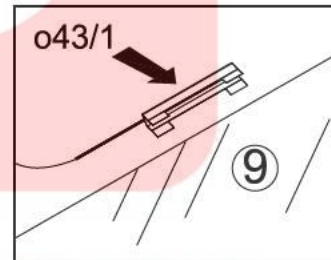
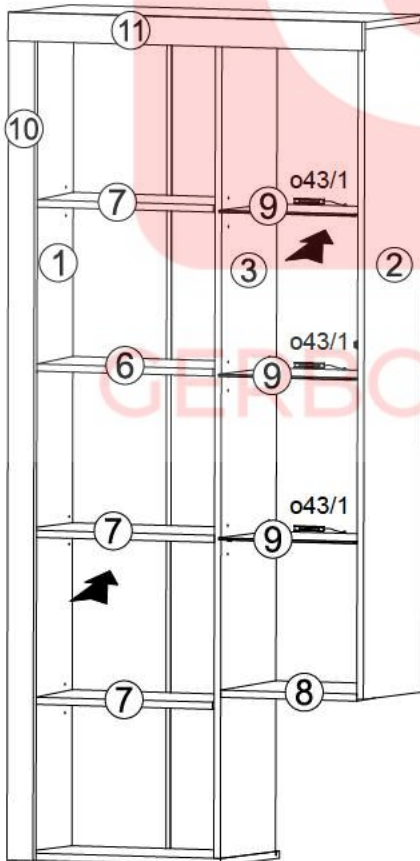
7x  $\phi 15 \times 12 \text{ mm} \#16$ r1



8

 S11

3x  $\phi 43/1$



9

3x
96/128 mm c235

1x
n2611

2x
ø6,5/ø10x5,2mm ø27

1x
ø43/6

4x
ø4x30 mm p9

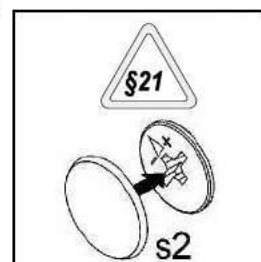
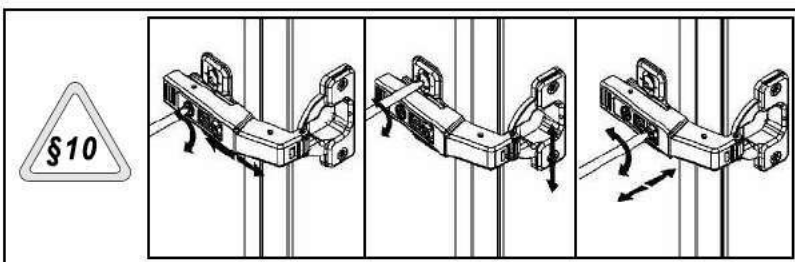
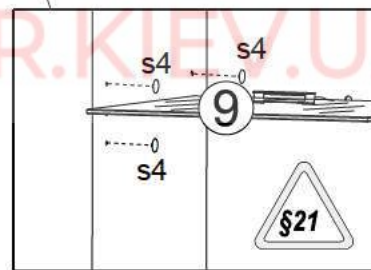
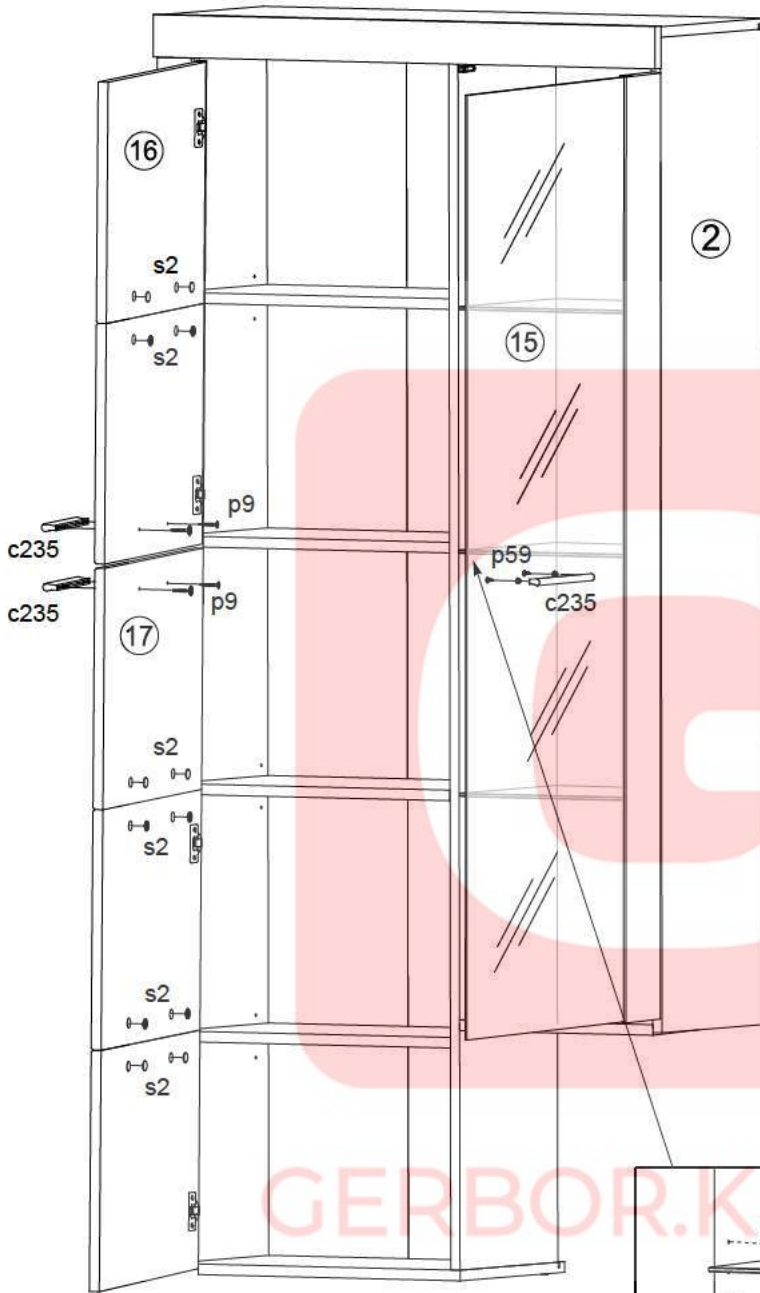
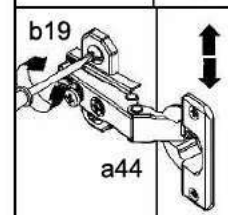
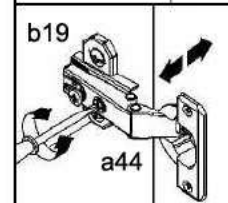
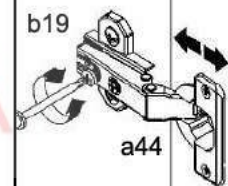
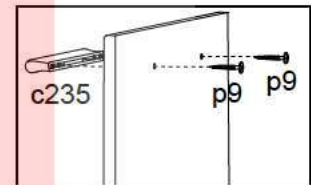
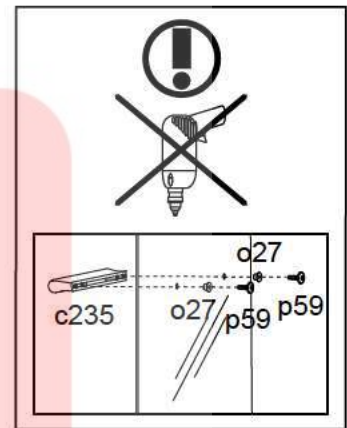
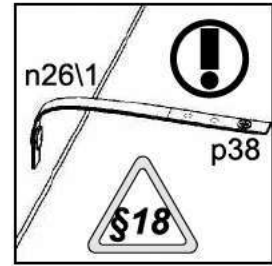
1x
ø3,5x16 mm p38

2x
ø4x12 mm p59

14x
ø16 s2

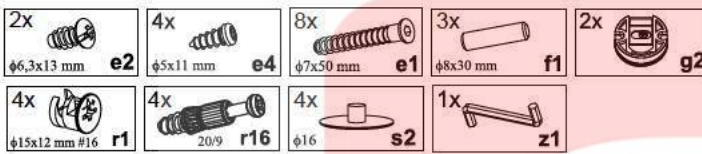
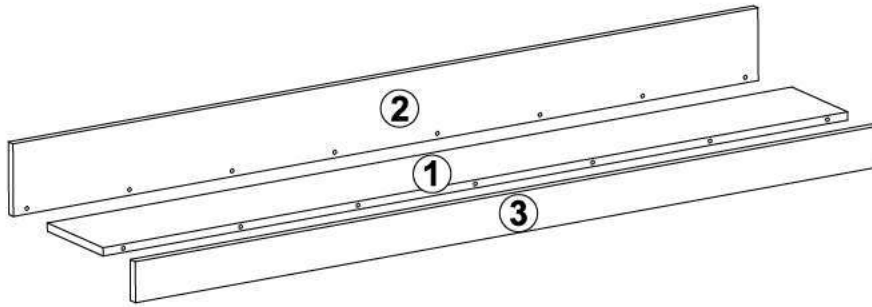
8x
ø16 s2

24x
ø5 s4

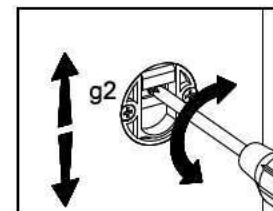
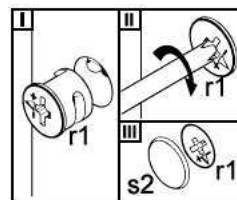
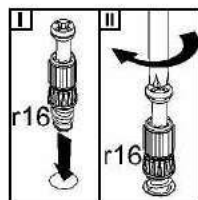
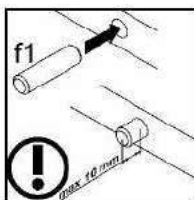
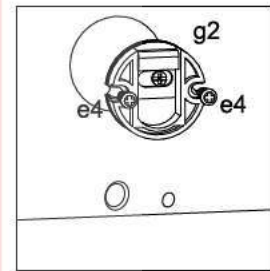
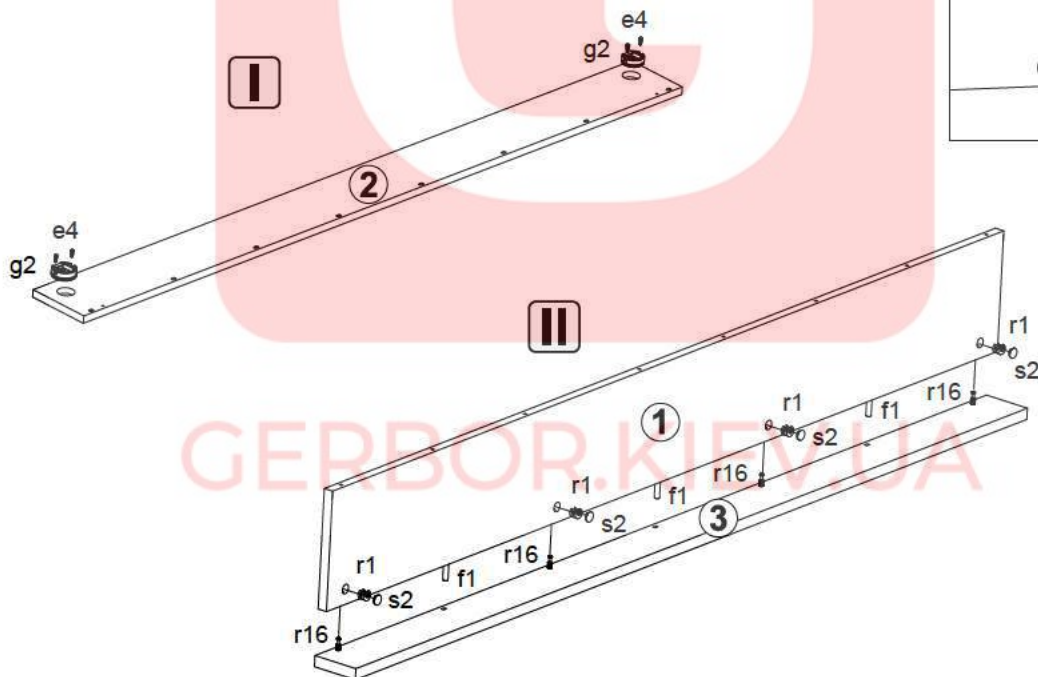


IV Полиця / Полка / Półka P/16

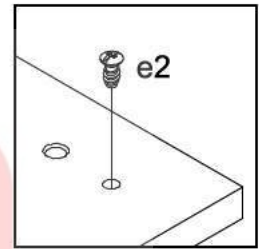
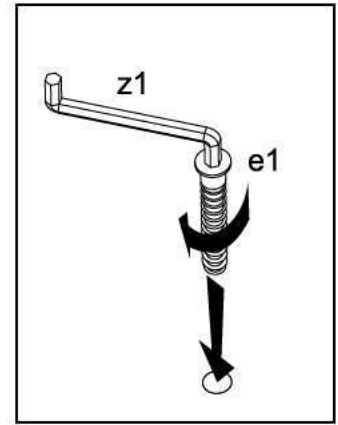
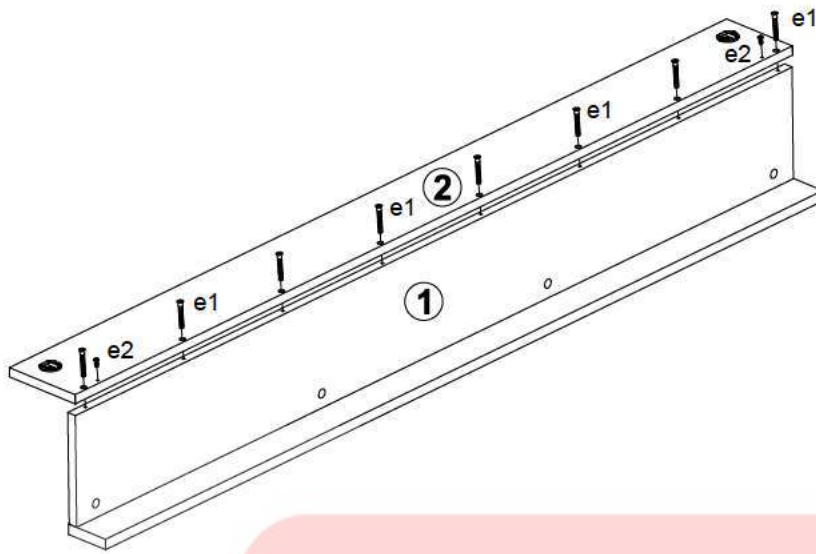
max
3kg



A	B	C	D
1	B123-329	1624	194 2/4
2	B123-406	1625	140 2/4
3	B123-595	1625	79 1/4



2



3

